



Sliding door operator

DORMA ES 200

Flexible, simple and modular – with drive power to spare.

The new, innovative DORMA ES 200 sliding door operator system offers the perfect solution for all applications and service requirements. The ES 200, equipped with the DORMA **PowerDrive** technology, fulfilling every demand imposed on operators in terms of adaptability to different door widths, door weight capacity and functionality.

The modular system

The modular design of the ES 200 provides an ideal basis for the implementation of new ideas and individual concepts in the design and construction of sliding door systems.

DORMA has also opened up a new dimension with its control system. Now there is no longer any need to replace components when you want to expand the functionality of your system. In future, “docking” will be the order of the day. The modular control system comprises of the basic control module (BM) and the function module (FM). Consequently, upgrading in accordance with individual customer requirements can be carried out without problem.

Particularly impressive is the prefabricated **MiniDriveUnit**, industrially tested and equipped with all the necessary electrical and electronic components.

Commissioning with a PALM

Commissioning and the setting of all the standard parameters can be performed quickly and easily via an integrated display and using keys provided on the front panel of the control unit.

For extra convenience, you can also program the system using the DORMA ASP software loaded on a PALM.

Integrated power

With its extra-powerful motor and a dynamic acceleration/ deceleration (operating curve) control capability, the integrated **PowerDrive** system ensures safe and reliable operation. And it can readily cope with sliding door weights of up to 2 x 160 kg per door panel weight.

Exceptional cost-efficiency

With the ES 200, DORMA offers a drive system of modular design capable of covering every application on the basis of just a few components. The system offers easy assembly and installation, reduced storage and stocking costs, and simple maintenance for enhanced operational cost efficiency.

A system for the future

With this system you are investing in the future. You also have the security derived from our decades of experience in the automatics business – a history that sets DORMA apart as the market leader in drive and control systems for doors. The ES 200 corresponds to all the latest European and German standards and safety regulations.

Delivery formats

The ES 200 is available as a component kit, as a complete, pre-assembled operator or ready integrated in all DORMA sliding door systems

Accessories

DORMA is able to provide program switches, activators and door profiles all perfectly matched to the operator as ideal complementary components.



Features and advantages at a glance:

- Modular, flexible system
- With DORMA **PowerDrive**: Dynamically controlled acceleration and deceleration curves for particularly powerful operation – and with emergency power backup in the form of a rechargeable battery pack
- Industrially prefabricated and tested **MiniDriveUnit**
- Modular control system upgradeable with additional functional modules
- Integrated DCW (DORMA Connect and Work) bus system for easy integration of DORMA DCW sensors and actuators
- Commissioning via integrated display or optionally with PALM and ASP software
- Can be combined with all customary door profiles
- Fully comprehensive range of accessories
- Reliable investment due to compliance with all relevant European and German standards

Door parameters	ES 200
1-panel sliding door – Clear passage width LW – Door panel weight, max.	700 – 3000 mm 1 x 200 kg
2-panel sliding door – Clear passage width LW – Door panel weight, max.	800 – 3000 mm 2 x 160 kg

Technical data	
Height	100 and 150 mm
Overall depth	180 mm
Opening and closing force, max. 150 N	●
Opening speed (incremental setting)	10 – 70 cm/s
Closing speed (incremental setting)	10 – 50 cm/s
Hold-open time	0 – 180 sec.
Mains voltage, frequency	230 V, 50/60 Hz
Power consumption	250 W
Class of protection	IP 20
Compliant with EU low-voltage directives	●
Manufacture according to ISO 9001:2000	●



Servicing and commissioning can be performed quickly and easily via an **integrated display with pushbuttons** on the front panel of the control unit or with a hand-held computer (PALM) and the DORMA Automatic Service Program (ASP).

Basic module (BM)	
Modular design	●
Microprocessor-controlled function programs – Off – Automatic – Permanent open – Partial opening – Exit only – Night-bank control	● ● ● ● ● ●
Connections for – electro-mechanical lock – light barriers	● ●
Adjustment of all basic parameters via integrated display and pushbuttons	●
PALM parameter setting	●
24 V output for external loads	●
Read-out error memory with error codes	●
DCW bus interface	●
Rechargeable battery pack for emergency operation	●

Function module (FM) – optional extra	
Pharmacy control	●
Door status detection (triple-mode)	●
Main and secondary closing edge protection	●
Emergency closing	●
Bell contact	●
Airlock control	●
Synchronising mode	●

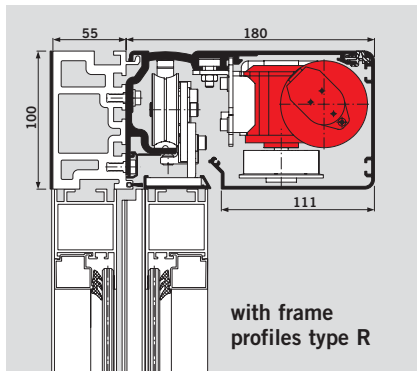
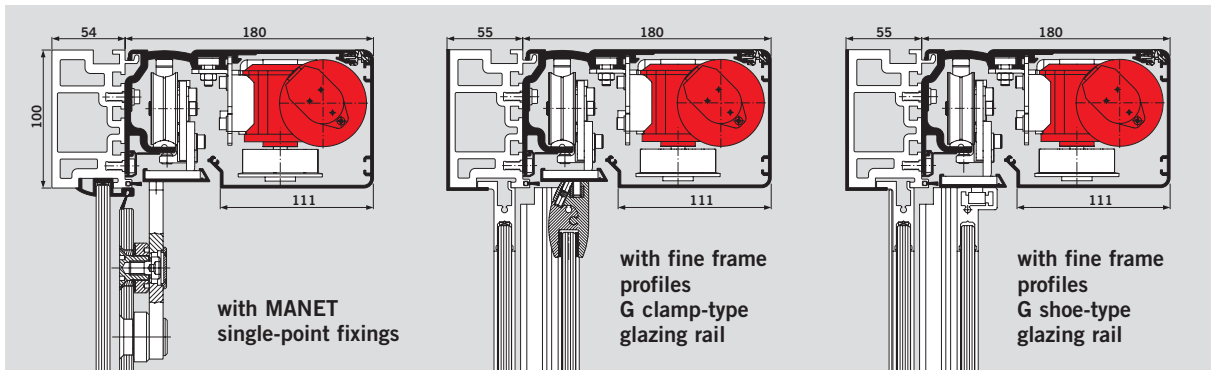
Additional equipment	
Electro-mechanical lock (bistable)	○
Manual release of electro-mechanical lock	○
Light barriers	○
Backup battery pack (emergency opening, emergency closing)	○
Module for coupling to EIB or LON building control systems*	○

* Please ask your Sales Consultant for series start date.

- standard
- optional

ES 200 – the professional operator for individual door design

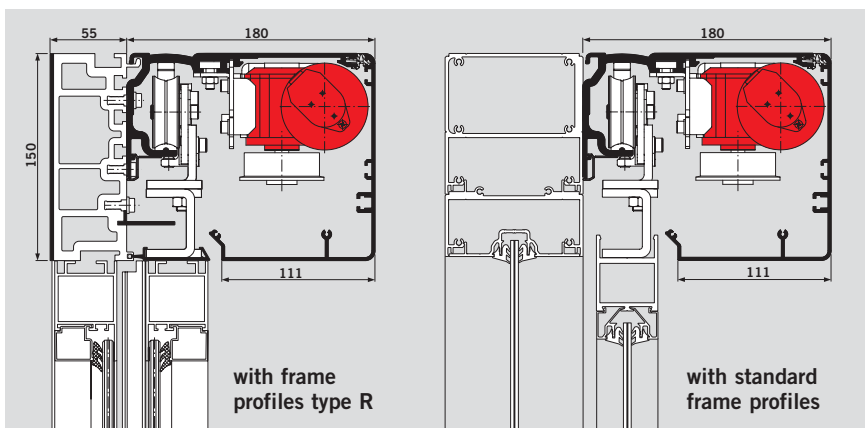
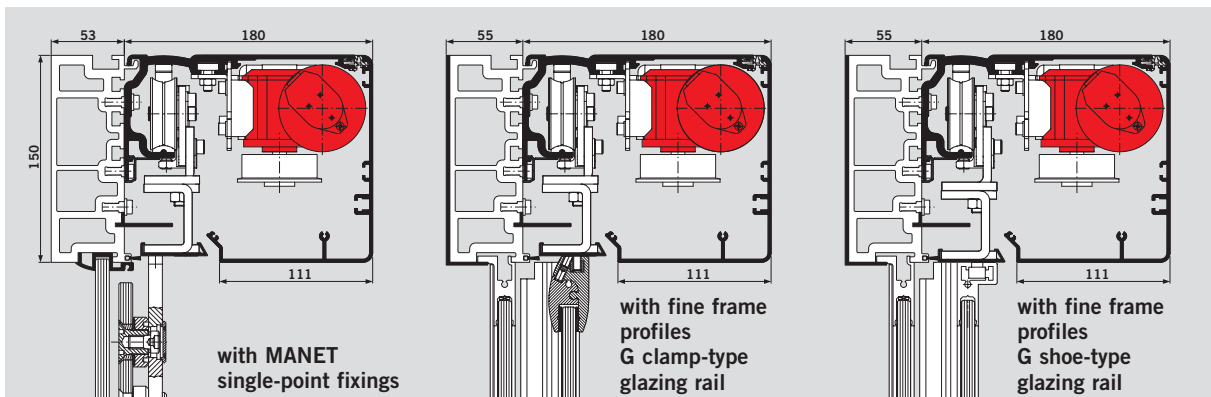
Door variants with ES 200, 100 mm height

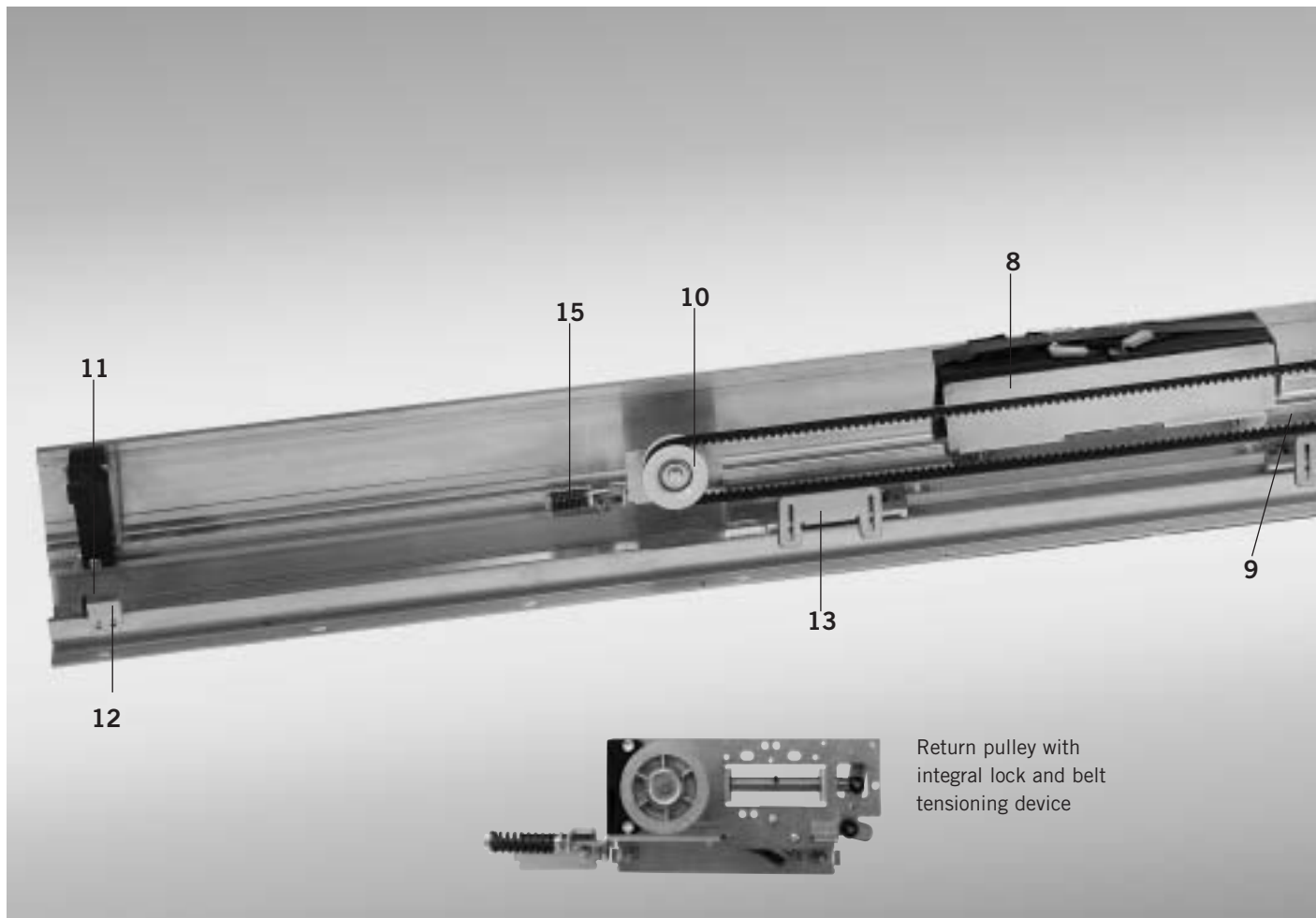


DORMA PowerDrive System
for particularly punchy performance

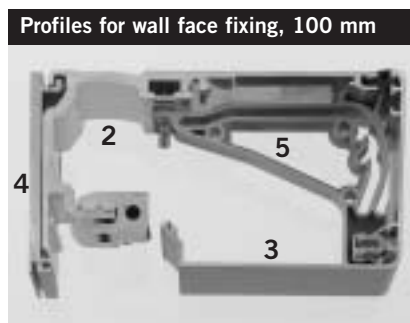
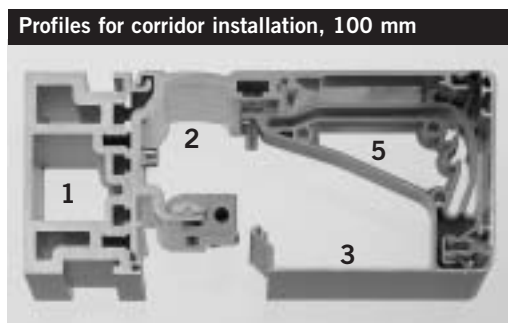
The door variants on this page are shown as corridor installation with LM girder.
See page 5 for profiles for wall face fixing

Door variants with ES 200, 150 mm height

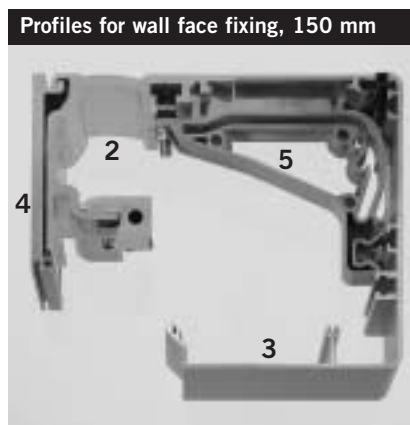
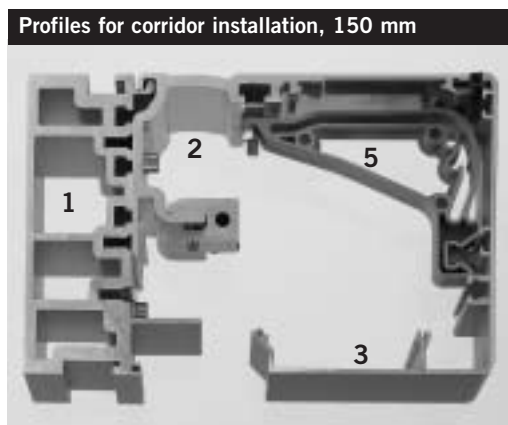




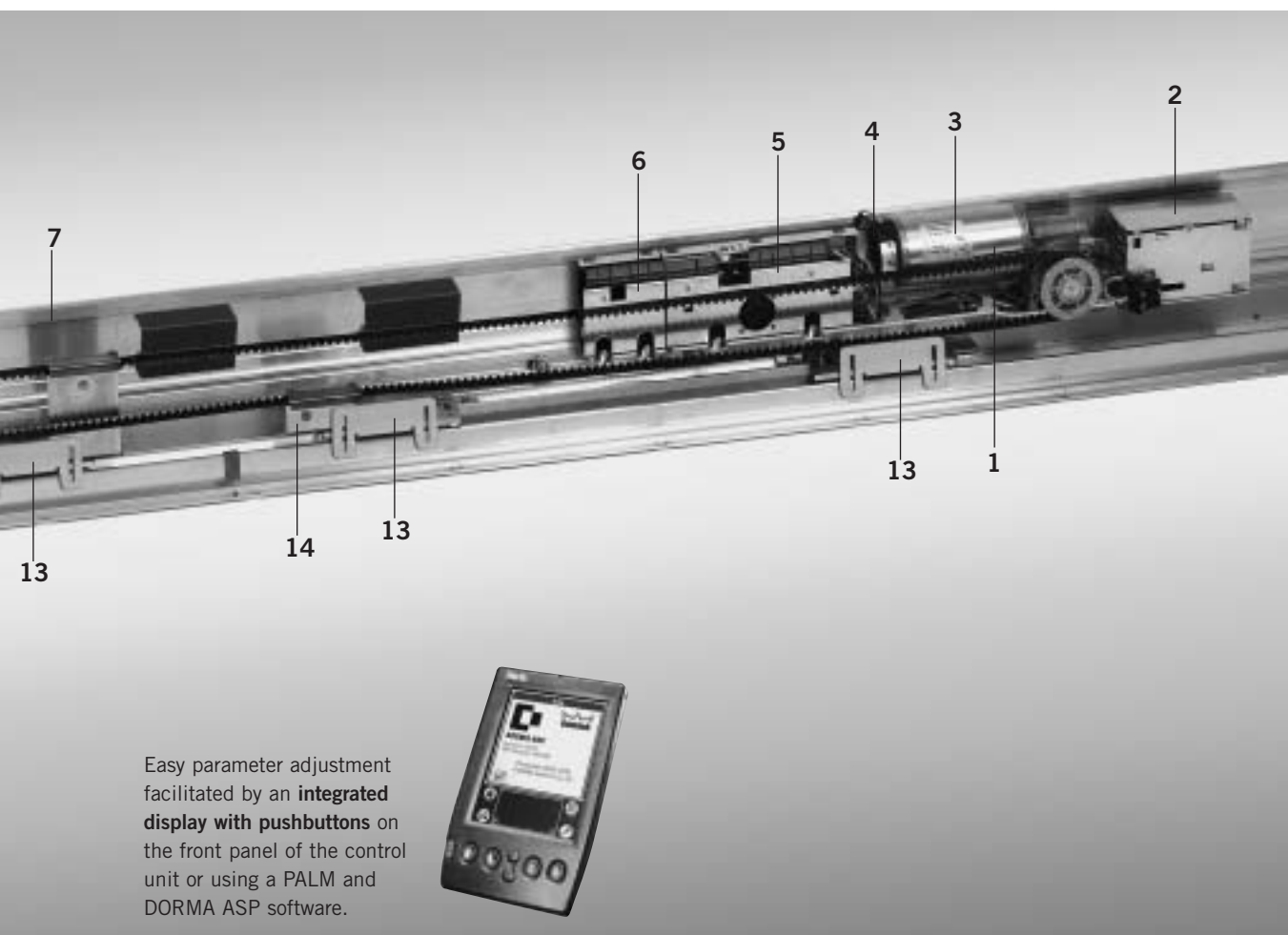
Return pulley with integral lock and belt tensioning device



Profile for 100 mm and 150 mm height, for corridor or wall face fixing guarantees adaptation for all possible applications. The basic mechanical system, with a low number of components, is the same for both heights.



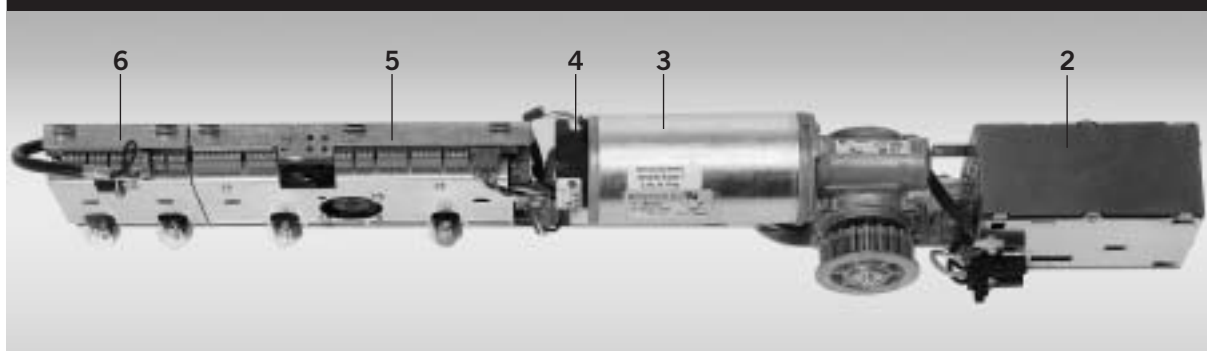
- 1 LM girder
- 2 Basic operator profile
- 3 Interior cover, 100 or 150 mm high
- 4 Wall face fixing profile
- 5 Service cover holder



Easy parameter adjustment facilitated by an **integrated display with pushbuttons** on the front panel of the control unit or using a PALM and DORMA ASP software.



MiniDriveUnit



At the core of the **ES 200**: the prefabricated **MiniDriveUnit**. It has been industrially tested with all the requisite electrical and electronic components, thus greatly facilitating the assembly, installation and maintenance of the door operator.

Components

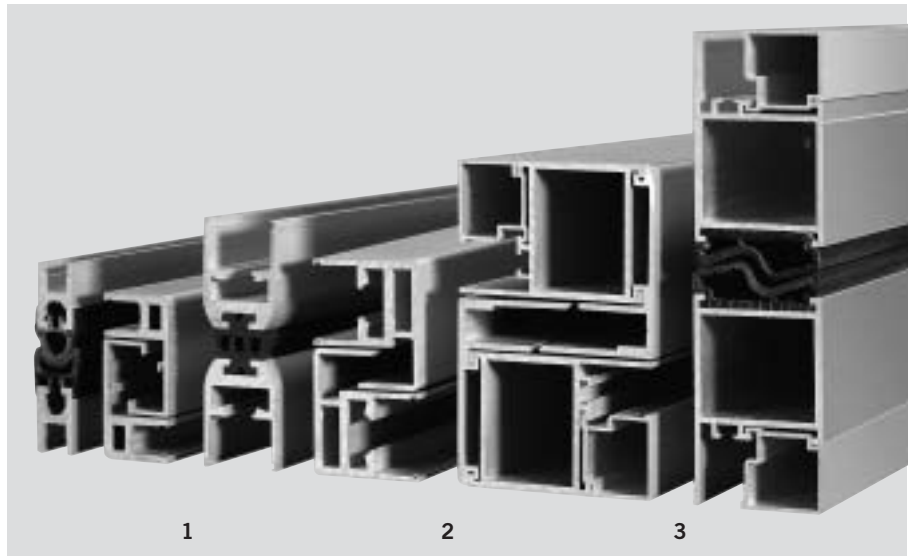
- | | |
|-----------------------------|--|
| 1 MiniDriveUnit | 7 Track and mounting profile |
| 2 Transformer | 8 Battery pack (optional) |
| 3 Motor | 9 Carrier |
| 4 Decoder | 10 Return pulley |
| 5 Basic control module (BM) | 11 Service cover holder |
| 6 Function module (FM) | 12 End stop |
| | 13 Door bracket with adjustment device |
| | 14 Belt connection |
| | 15 Belt tensioning device |

Door profiles

DORMA supplies door profile for doors in full-glass and for framed doors as the optimum addition to the ES 200.

Manet single point fixings and a glazing rail complement the program

- 1 Fine frame profile system type G
- 2 Frame profile type R
- 3 Standard frame profile



MANET single-point fixings



System accessories



Radar motion detectors



- Directional sensitive – standard version
- Directional non-sensitive
- Radar detector for any combination
- No effect on pacemakers due to the low output, approx. 2 mW

Program switch to select the operating mode of DORMA automatic doors.

- Up to 5 different functions:
 - Off, Automatic, Exit, Partial opening, Permanent open
- Electronic program switch in System 55 design for the highest aesthetic demands
- Material variants for frames from polished steel, abrasive blasted silk-mat stainless steel, aluminium and brass to glass, ebony or terracotta
- Also lockable by key or electronic code
- For internal or external installation as well as flush-mounted or surface-type installation



Program switch EPS-S
System 55

Pushbuttons and switches: Electric, pneumatic or radio remote.

- To open and close DORMA automatic doors
- Via key or manually by switch or momentary contact
- For a variety of installation situations: flush or surface mounted or in the door frame



Program switch PG-S2

The widely diversified automatic system accessories from DORMA are complemented by further components which are specially matched to various safety measures.

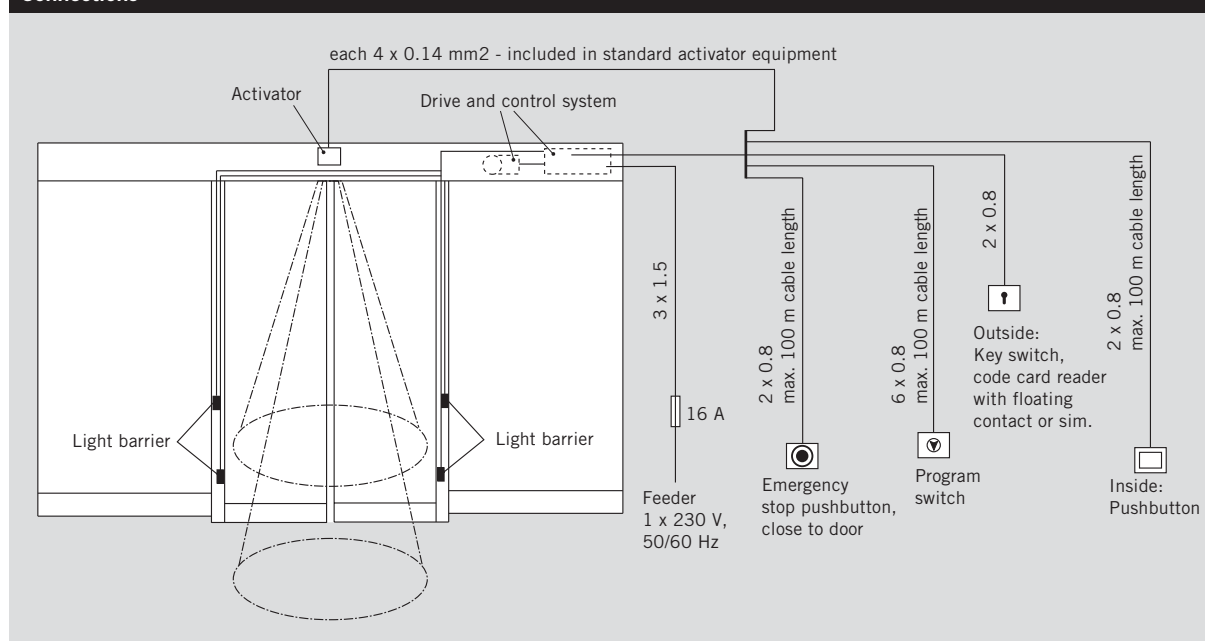
Light barriers

- According to the reflex-light principle
- Additional protection of closing sweep, installation 200 and 1000 mm above floor level



Emergency command device
System 55

Connections



Specification text

Automatic sliding door operator for

- 1 panel 2-panel sliding door
 150 mm height 100 mm height

Dimensions (H x D): 150/100 x 180 mm.

Microprocessor control, self-learning, reversing when obstruction is encountered.

Clear passage width:

- 1-panel 700 – 3000 mm
 2-panel 800 – 3000 mm

Door weight:

- 1-panel max. 1 x 200 kg
 2-panel max. 2 x 160 kg

Function programs:

Off, Automatic, Permanent open, Exit only, Partial opening, Night-bank control, Emergency off. Basic parameters of door adjustable via integrated display and pushbuttons. With choice between emergency opening and emergency closing in the event of a power failure (powered by optional backup battery pack).

Manufactured according to the guidelines for power-operated windows, doors and gates ZH 1/494, latest edition, German UVV (accident prevention) and VDE (electrical engineering) regulations. TÜV type tested, compliant with EU low-voltage directives, production according to ISO 9001 certification. Fulfills the future European standards and regulations.

Power supply data:

230 V, 50/60 Hz

Switches, pushbuttons:

- Program switch:
 external flush-mounted
 external surface-mounted
 internal lockable
 Emergency off pushbutton installation:
 external flush-mounted
 external surface-mounted
 internal dual box, external
 under glass

Additional equipment:

- Battery pack, fitted in header, for emergency opening or emergency closing

Activators:

- Radar system
 directional sensitive pcs.
 non-directional sensitive pcs.
 other pcs.
 Light barriers, comprising receiver and transmitter (only 3-wire technology) pcs.

Locking:

- electro-mechanical locking, bistable
 door status detector, locking detector
 manual unlocking

Colour light alloy parts:

- silver, anodised E6/C0
 RAL

Operator dimensions:

- Total length B mm
 Clear passage width LW mm

Make: DORMA ES 200

Automatic Division worldwide

DORMA GmbH + Co. KG
 Breckerfelder Str. 42-48
 D-58256 Ennepetal
 Phone +49 23 33/793-0
 Fax +49 23 33/793-495

Region Australia

AUS, NZ
 Australia
 DORMA BWN Automatics Pty. Ltd.
 Phone +61 3 97964111
 www.dorma.com.au

New Zealand
 DORMA BWN Automatics Pty. Ltd.
 Phone +61 3 97964111
 www.dorma.com.au

Region Central Europe

D, NL, B, LX, CH
 Germany
 Automatic D
 Phone +49 2333 793-0
 www.dorma.de

Netherlands
 DORMA van Duin Nederland BV
 Phone +31 488 418 100
 www.dorma.be/en

Belgium
 DORMA foquin N.V./S.A.
 Phone +32 50 451570
 www.dorma.be/en

Luxembourg
 Luxembourg Subsidiary Automatic
 Phone +49 2333 793-216
 www.dorma.de

Switzerland
 DORMA Schweiz AG
 Phone +41 71 8864646
 www.dorma.ch

Region Emerging Markets

P, RUS, UA, BG, GR, TR, IND, IL, RSA
 Poland
 DORMA Polska Sp. z o.o.
 Phone +48 22 736-59-00
 www.dorma.pl

Russia
 Representative Office in Russia
 Phone +7 095 2581225
 www.dorma.com

Ukraine
 DORMA Representation Ukraine
 Phone +380 44 2443897
 www.dorma.com

Bulgaria
 DORMA Bulgaria
 Phone +359 2 9714 904
 www.dorma.com

Greece
 DORMA Representation Greece
 Phone: +30 21 09944388
 www.dorma.com

Turkey
 DORMA Kapi Kontrolleri Ltd. Sti
 Phone: +90 216 3600056
 www.dorma.com

India
 DORMA Door Controls India
 Phone +91 442 8585097
 www.dorma.com

Israel
 DORMA GmbH + Co. KG
 Phone +49 2333 793-0
 www.dorma.com

South Afrika
 DORMA Door Controls (Pty.) Ltd
 Phone +27 11 8300280
 www.dorma.com

Region Far East

SGP, HK, VRC, RC, MAL, RI, RP, ROK, VN, J
 Singapore
 DORMA Emerald Entrance Systems Pte Ltd
 Phone +65 459 5733
 www.dorma.com.sg

Hong Kong
 DORMA Door Controls Pte. Ltd.
 Phone +852 25034632
 www.dorma.com.sg

China
 DORMA Door Controls (Suzhou) Co. Ltd.
 Phone +86 512 676 12481
 www.dorma.com.sg

Taiwan
 DORMA Door Controls Pte. Ltd.
 Phone +886 2 9182987
 www.dorma.com.sg

Malaysia
 DORMA Emerald Entrance Systems Pte Ltd
 Phone +65 459 5733
 www.dorma.com.sg

Indonesia
 DORMA Emerald Entrance Systems Pte Ltd
 Phone +65 459 5733
 www.dorma.com.sg

South Korea
 DORMA Emerald Entrance Systems Pte Ltd
 Phone +65 459 5733
 www.dorma.com.sg

Philippines
 DORMA Door Controls Pte. Ltd.
 Phone +632 893 40778
 www.dorma.com.sg

Vietnam
 DORMA Emerald Entrance Systems Pte Ltd
 Phone +65 459 5733
 www.dorma.com.sg

Japan
 DORMA Emerald Entrance Systems Pte Ltd
 Phone +65 459 5733
 www.dorma.com.sg

Region France

F
 France
 DORMA Accueil S. A. S.
 Phone +33 4 79348924
 www.dorma.fr

Region Gulf

Saudi Arabia, Bahrain, Kuwait, Egypt, Syria, Jordan, Lebanon, Iran
 DORMA ARABIA
 Automatic Doors Ltd.
 Kingdom of Saudi Arabia
 Phone +966 3 847 2394
 www.dorma.com

United Arab Emirates, Oman, Qatar
 DORMA Middle East LLC
 Dubai
 Phone +971 4 282 4424
 www.dorma.com

Region North America

USA, CDN, MEX
 USA
 DORMA Automatics Inc.
 Phone +1 301 390-3600
 www.dorma-usa.com

Canada
 DORMA Door Controls
 Phone +1 905 6701281
 www.dorma.com

Mexico
 DORMA México, S. de R.L. de C.V.
 Phone +52 55 5272 6937
 www.dorma.com

Region Scanbalt

N, S, DK, FIN, LV, EST, LT

Norway
 DORMA Norge A/S
 Phone +47 23 176800
 www.dorma.no

Sweden
 DORMA Sverige AB
 Phone +46 31 289520
 www.dorma.se

Denmark
 DORMA Danmark A/S
 Phone +45 44 943077
 www.dorma.com

Finland
 DORMA Finland Oy
 Phone +358 9 8789130
 www.dorma.fi

Latvia
 DORMA Finland Oy
 Phone +358 9 8789130
 www.dorma.fi

Estonia
 DORMA Representation Estonia
 Phone +372 6707064
 www.dorma.com

Lithuania
 DORMA Norge AS
 Phone +47 23 176800
 www.dorma.com

Region South America

BR, RA
 Brazil
 DORMA Sistemas de Controles
 Phone +55 11 41913244
 www.dorma.com.br

Argentina
 DORMA Sistemas de Controles para Portas Ltda
 Phone +54 11 45051032
 www.dorma.com

Region South-East Europe

A, H, CZ, CS, HR, SLO, RO
 Austria
 DORMA AKS Automatic GmbH
 Phone +43 6225 8636-0
 www.dorma.at

Hungary
 DORMA AKS Automatic GmbH
 Phone +36 1 2065127 or 2058058
 www.dorma.com

Czech Republik
 DORMA dverní technika CR, s.r.o.
 Phone +420 2 671321-78 or -79
 www.dorma.com

Slovakia
 DORMA Slovensko spol. s.r.o.
 Phone +421 2 50221 283
 www.dorma.com

Croatia
 DORMA URED
 Phone +385 1 3498 422
 www.dorma.com

Slovenia
 DORMA Representation Slovenia
 Phone +386 2 5 30 20 10
 www.dorma.com

Romania
 DORMA Representation Romania
 Phone +40 2 13 30 05 68
 www.dorma.com

Region South Europe

I, E, P
 Italy
 DORMA Italiana S.r.l.
 Phone: +39 039 244031
 www.dorma.it

Spain
 DORMA Ibérica, S.A.
 Phone +34 91 8757851
 www.dorma.es

Portugal
 DORMA Portugal para Portas, Lda.
 Phone +351 252 860 490
 www.dorma.com

Region UK/Ireland

GB, IRL
 Great Britain
 DORMA UK Limited
 Phone +44 1462 477600
 www.dorma-uk.co.uk

Ireland
 DORMA Ireland Limited
 Phone +353 1 295 8280
 www.dorma.com

www.dorma.com

Door Control

Automatic

Glass Fittings and Accessories

Security/ Time and Access (STA)

Movable Walls